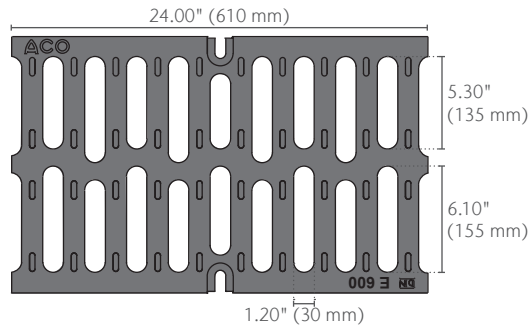


F660 Slotted Ductile Iron Grate Spec Sheet



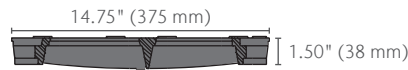
Top



Side



Front



Product Name	Part No.	Length in (mm)	Width in (mm)	Weight lbs
F660 Slotted Ductile Iron Grate	97449	24.00 (610)	14.75 (375)	75.0
Replacement Stainless Steel Hex Head Bolts (Qty 2)	93892	-	-	0.2

Specification Summary

General

The surface drainage system shall be ACO Drain F660 channels complete with ACO F660 Slotted Ductile Iron Grate with boltlocking as manufactured by ACO, Inc. or similar approved.

Materials

The covers shall be manufactured from ductile iron and have minimum properties as follows:

- Ductile iron to ASTM 536 - Grade 80-55-06.
- Intake area of 58.70 in² (378.7 cm²) per 18.00" of grate.

The overall width of 10.00" (254 mm) and overall length of 18.00" (457 mm). Slots measure 7.87" (200 mm) by 0.61" (15 mm).

Grates

Grate is slotted ductile iron. Ductile iron ASTM 536 - Grade 80-55-06. After removal of the grates there shall be uninterrupted access to the trench to aid maintenance.

Installation

The trench drain system shall be installed in accordance with the manufacturer's installation instructions and recommendations.



Australian Standard AS 3996 - 2006 Clause 3.3.6:
max slot length dependent on slot width for grates that are deemed Bicycle Tire Penetration Resistant.

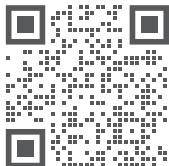


EN1433 Load Class E
134,885 lbs – 2,785 psi

ACO, Inc.

© January 2026 ACO, Inc.

All reasonable care has been taken in compiling the information in this document. All recommendations and suggestions on the use of ACO products are made without guarantee since the conditions of use are beyond the control of the company. It is the customer's responsibility to ensure that each product is fit for its intended purpose and that the actual conditions of use are suitable. ACO, Inc. reserves the right to change products and specifications without notice.



info@acousa.com
www.acousa.com

